

# BNR Products

Beukenhoflaan 7  
2400 Mopl - BELGIUM

info@bnr-products.com - www.bnr-products.com



**Product Name**

60W LED Breedstraler

**Item No.**

BNR-FL01-60

### Optical Data

### Electrical Data

|                   |                          |                           |                        |
|-------------------|--------------------------|---------------------------|------------------------|
| LED Type          | Nichia SMD from Japan    | Power Supply              | Meanwell               |
| LED QTY           | 56pcs                    | Input Voltage             | AC100~240/277V         |
| System Efficacy   | 115 lm/W(CCT=5000K)      | Power Frequency           | 50~60Hz                |
| Luminous Flux     | 6900 lm(CCT=5000K)       | Output Voltage            | DC24~48V               |
| CCT               | 3000K, 4000K, 5000K      | Output Current            | 1.3A(Constant Current) |
| Beam Angle        | 30°x70° , 60°x90° , 120° | Power Efficiency          | >93%                   |
| CRT               | >Ra70                    | Power Factor              | >0.93                  |
| System Efficiency | >90%                     | Total Harmonic Distortion | <15%                   |

### Others

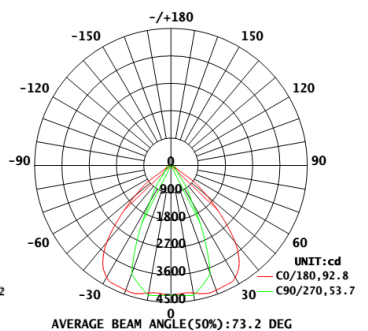
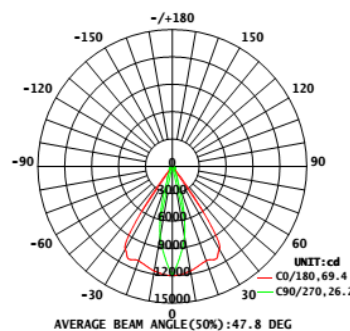
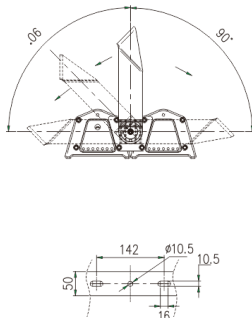
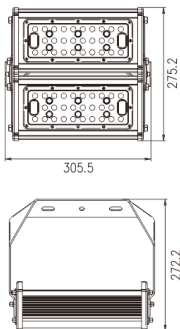
|                          |                          |                          |                     |
|--------------------------|--------------------------|--------------------------|---------------------|
| System Power Consumption | 60±3W                    | Junction Temperature(Tj) | <70 °C (Ta=30 °C)   |
| LED Power Consumption    | 56±3W                    | Storage Temperature      | -40~+70 °C          |
| Fixture Material         | Aluminum Alloy           | Operating Temperature    | -30~+50 °C          |
| Ingress Protection       | IP65                     | Operating Humidity       | 15~90%RH            |
| Luminaire Net Weight     | 3.9 ±0.3kg               | Outlook Dimensions       | 305.5×275.2×272.2mm |
| Life Span                | >50000Hrs(Ta=30 °C @L70) | Export Carton Size       | 405×351×152mm       |

### Optional Info.

|                     |                                   |
|---------------------|-----------------------------------|
| Installation Method | Wall Mounting ( Adjustable Angle) |
| Fixture Color       | Black / White                     |
| Intelligent Control | DALI Control / Microwave Sensor   |

### Physical Dimensions

### Light Distribution Curve





**Product Name**

90W LED Breedstraler

**Item No.**

BNR-FL01-90

**Optical Data**

**Electrical Data**

|                   |                         |                           |                        |
|-------------------|-------------------------|---------------------------|------------------------|
| LED Type          | Nichia SMD from Japan   | Power Supply              | Meanwell               |
| LED QTY           | 84pcs                   | Input Voltage             | AC100~240/277V         |
| System Efficacy   | 115 lm/W(CCT=5000K)     | Power Frequency           | 50~60Hz                |
| Luminous Flux     | 10350 lm(CCT=5000K)     | Output Voltage            | DC24~48V               |
| CCT               | 3000K, 4000K, 5000K     | Output Current            | 1.9A(Constant Current) |
| Beam Angle        | 30°x70° , 60°x90° ,120° | Power Efficiency          | >93%                   |
| CRT               | >Ra70                   | Power Factor              | >0.93                  |
| System Efficiency | >90%                    | Total Harmonic Distortion | <15%                   |

**Others**

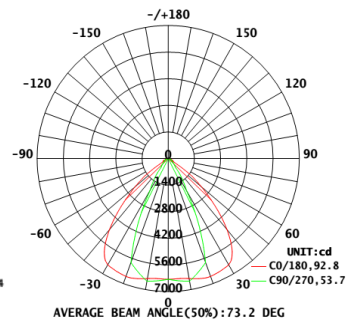
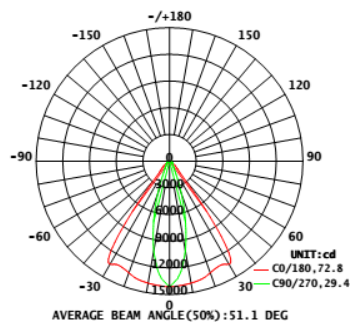
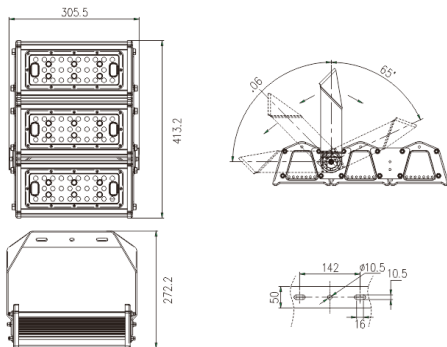
|                          |                          |                          |                     |
|--------------------------|--------------------------|--------------------------|---------------------|
| System Power Consumption | 90±3W                    | Junction Temperature(Tj) | <75 °C (Ta=30 °C)   |
| LED Power Consumption    | 84±3W                    | Storage Temperature      | -40~+70 °C          |
| Fixture Material         | Aluminum Alloy           | Operating Temperature    | -30~+50 °C          |
| Ingress Protection       | IP65                     | Operating Humidity       | 15~90%RH            |
| Luminaire Net Weight     | 5.5 ±0.3kg               | Outlook Dimensions       | 305.5×413.2×272.2mm |
| Life Span                | >50000Hrs(Ta=30 °C @L70) | Export Carton Size       | 405×558×152mm       |


**Optional Info.**

|                     |                                   |
|---------------------|-----------------------------------|
| Installation Method | Wall Mounting ( Adjustable Angle) |
| Fixture Color       | Black / White                     |
| Intelligent Control | DALI Control / Microwave Sensor   |

**Physical Dimensions**

**Light Distribution Curve**

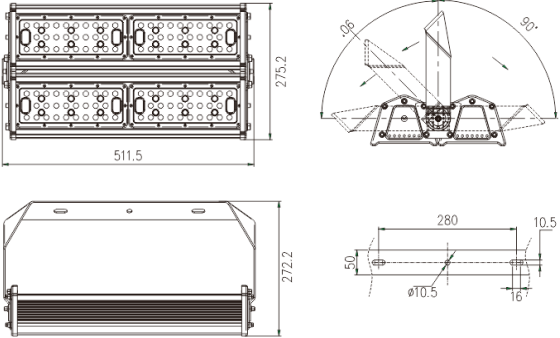
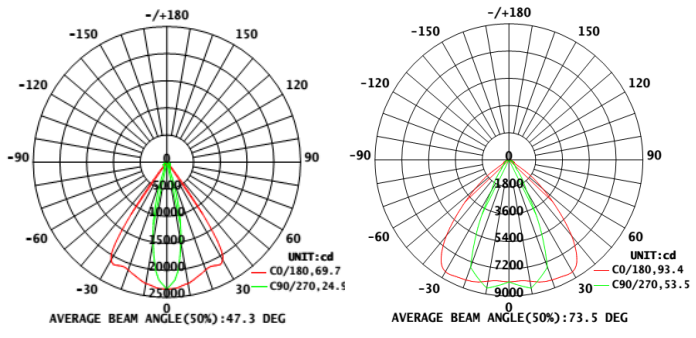


|  |                     |                       |
|--|---------------------|-----------------------|
|  | <b>Product Name</b> | 120W LED Breedstraler |
|  | <b>Item No.</b>     | BNR-FL01-120          |

| Optical Data      |                         | Electrical Data           |                        |
|-------------------|-------------------------|---------------------------|------------------------|
| LED Type          | Nichia SMD from Japan   | Power Supply              | Meanwell               |
| LED QTY           | 112 pcs                 | Input Voltage             | AC100~240/277V         |
| System Efficacy   | 115 lm/W(CCT=5000K)     | Power Frequency           | 50~60Hz                |
| Luminous Flux     | 13800 lm(CCT=5000K)     | Output Voltage            | DC24~48V               |
| CCT               | 3000K, 4000K, 5000K     | Output Current            | 2.6A(Constant Current) |
| Beam Angle        | 30°x70° , 60°x90° ,120° | Power Efficiency          | >93%                   |
| CRT               | >Ra70                   | Power Factor              | >0.93                  |
| System Efficiency | >90%                    | Total Harmonic Distortion | <15%                   |

| Others                   |                          |                          |                     |
|--------------------------|--------------------------|--------------------------|---------------------|
| System Power Consumption | 120±3W                   | Junction Temperature(Tj) | <80 °C (Ta=30 °C)   |
| LED Power Consumption    | 112±3W                   | Storage Temperature      | -40~+70 °C          |
| Fixture Material         | Aluminum Alloy           | Operating Temperature    | -30~+50 °C          |
| Ingress Protection       | IP65                     | Operating Humidity       | 15~90%RH            |
| Luminaire Net Weight     | 6.9 ±0.3kg               | Outlook Dimensions       | 511.5×275.2×272.2mm |
| Life Span                | >50000Hrs(Ta=30 °C @L70) | Export Carton Size       | 543×351×152mm       |

| Optional Info.      |                                  |
|---------------------|----------------------------------|
| Installation Method | Wall Mounting ( Ajustable Angle) |
| Fixture Color       | Black / White                    |
| Intelligent Control | DALI Control / Microwave Sensor  |

| Physical Dimensions   | Light Distribution Curve   |
|---|--|
|  |  |

# BNR Products

Beukenhoflaan 7  
2400 Mopl - BELGIUM

info@bnr-products.com - www.bnr-products.com



**Product Name**

180W LED Breedstraler

**Item No.**

BNR-FL01-180

### Optical Data

### Electrical Data

|                   |                         |                           |                        |
|-------------------|-------------------------|---------------------------|------------------------|
| LED Type          | Nichia SMD from Japan   | Power Supply              | Meanwell               |
| LED QTY           | 168 pcs                 | Input Voltage             | AC100~240/277V         |
| System Efficacy   | 115 lm/W(CCT=5000K)     | Power Frequency           | 50~60Hz                |
| Luminous Flux     | 20700 lm(CCT=5000K)     | Output Voltage            | DC24~48V               |
| CCT               | 3000K, 4000K, 5000K     | Output Current            | 3.8A(Constant Current) |
| Beam Angle        | 30°x70° , 60°x90° ,120° | Power Efficiency          | >93%                   |
| CRT               | >Ra70                   | Power Factor              | >0.93                  |
| System Efficiency | >90%                    | Total Harmonic Distortion | <15%                   |

### Others

|                          |                          |                          |                     |
|--------------------------|--------------------------|--------------------------|---------------------|
| System Power Consumption | 180±3W                   | Junction Temperature(Tj) | <85 °C (Ta=30 °C)   |
| LED Power Consumption    | 168±3W                   | Storage Temperature      | -40~+70 °C          |
| Fixture Material         | Aluminum Alloy           | Operating Temperature    | -30~+50 °C          |
| Ingress Protection       | IP65                     | Operating Humidity       | 15~90%RH            |
| Luminaire Net Weight     | 10 ±0.3kg                | Outlook Dimensions       | 511.5×413.2×272.2mm |
| Life Span                | >50000Hrs(Ta=30 °C @L70) | Export Carton Size       | 543×558×152mm       |

### Optional Info.

|                     |                                   |
|---------------------|-----------------------------------|
| Installation Method | Wall Mounting ( Adjustable Angle) |
| Fixture Color       | Black / White                     |
| Intelligent Control | DALI Control / Microwave Sensor   |

### Physical Dimensions

### Light Distribution Curve

